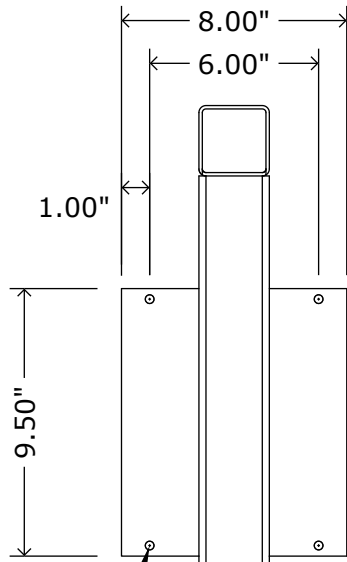
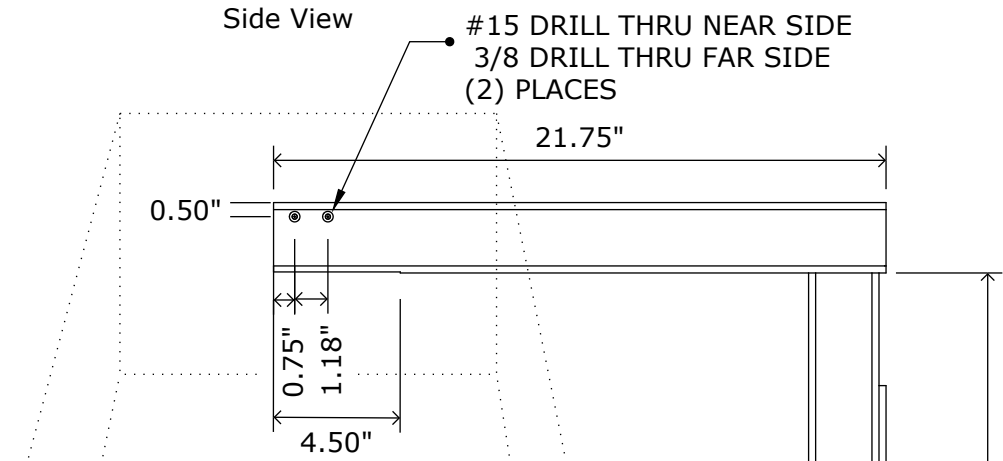


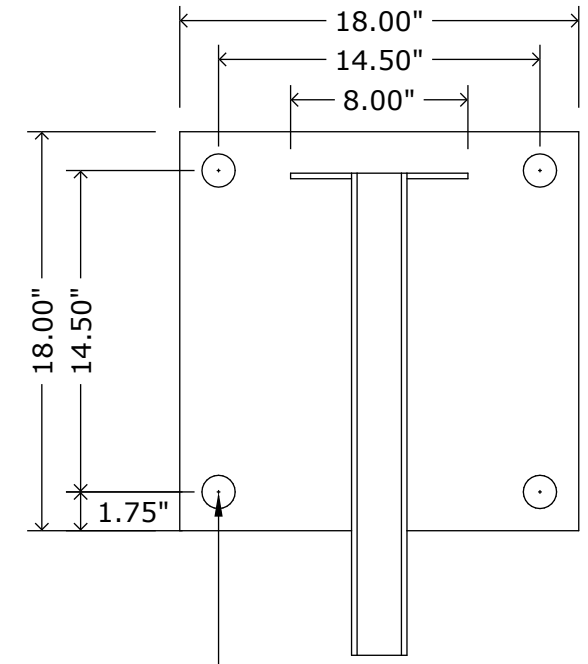
Front View



Side View



Top View



0.31" DIA PUNCH THRU (4)

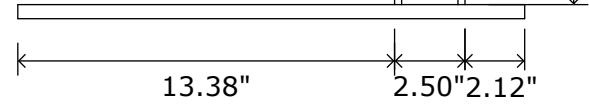
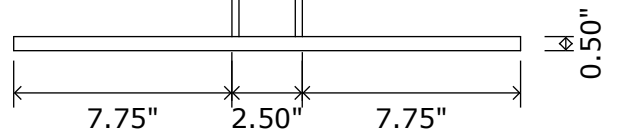
REMOVE BOTTOM WALL IN THIS AREA

#15 DRILL THRU NEAR SIDE
3/8 DRILL THRU FAR SIDE
(2) PLACES

0.25" THICK

0.75" DIA HOLES (4)

54.00"



Techplex Labs

Part: Laser Coil Loop Sensor Stand

Desc: Our Laser Loop Control provides a drop-in replacement for most loop arm and ultrasonic loop controls. Stable loop control provides constant payoff rate to both uncoilers and straighteners.

By: Blake Bourque

Date: September 10, 2015